

MICRO SWITCH
a Honeywell Division

FED. MFG. CODE 91 929

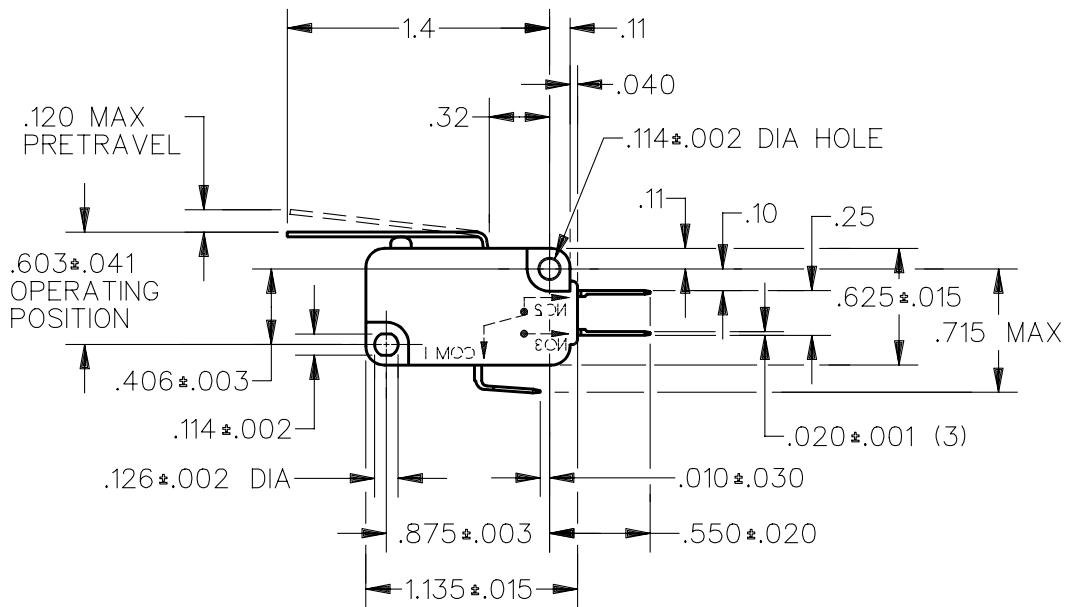
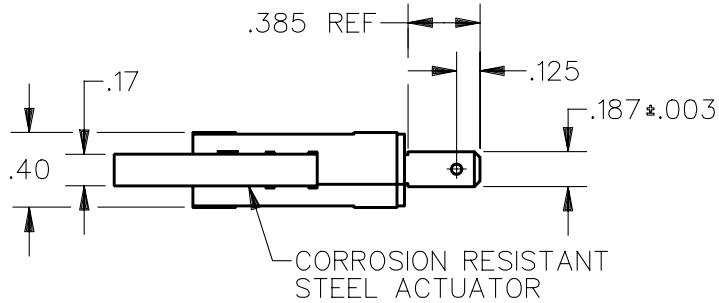
SWITCH - BASIC

CATALOG LISTING

V7-1B17D8-022

CW-B4132

CATALOG LISTING
V7-1B17D8-022
REPLACES
RELEASE NO. PR-19124
ISSUE
M
2



REVISIONS
A
CO-1
76109
JWB
8 NOV 93

DDM/CAD
DRAWN
B A B 4 APR 91
CHECK
J A P 4 APR 91
CHECK

THIS DRAWING COVERS A PROPRIETARY ITEM AND IS THE PROPERTY OF MICRO SWITCH, A DIVISION OF HONEYWELL. THIS DRAWING IS NOT TO BE COPIED OR USED WITHOUT THE APPROVAL OF MICRO SWITCH.



CHARACTERISTICS
OPERATING FORCE — — — 82 GRAMS MAX
RELEASE FORCE — — — — 8 GRAMS MIN
DIFFERENTIAL TRAVEL — — — .027 MAX
OVERTRAVEL — — — — .067 MIN
RELEASE TRAVEL — — — — .017 MIN

ELECTRICAL DATA
CONTACT ARRANGEMENT S P D T
L156 11A 1/3HP 125, 250 OR 277 VAC 1/2A 125 VDC, 1/4A 250 VDC 4A 125 VAC "L"

SCALE	FULL	DO NOT SCALE PRINT
UNLESS OTHERWISE SPECIFIED TOLERANCES ARE		
ONE PLACE	(.0)	±.030
TWO PLACE	(.00)	±.015
THREE PLACE	(.000)	±.005
ANGLES		±
WEIGHT		

